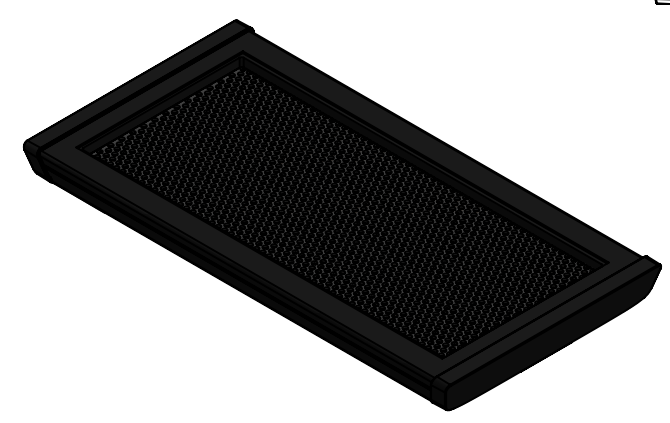
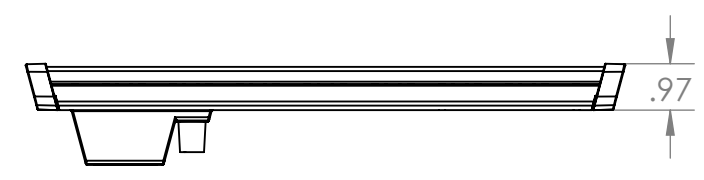
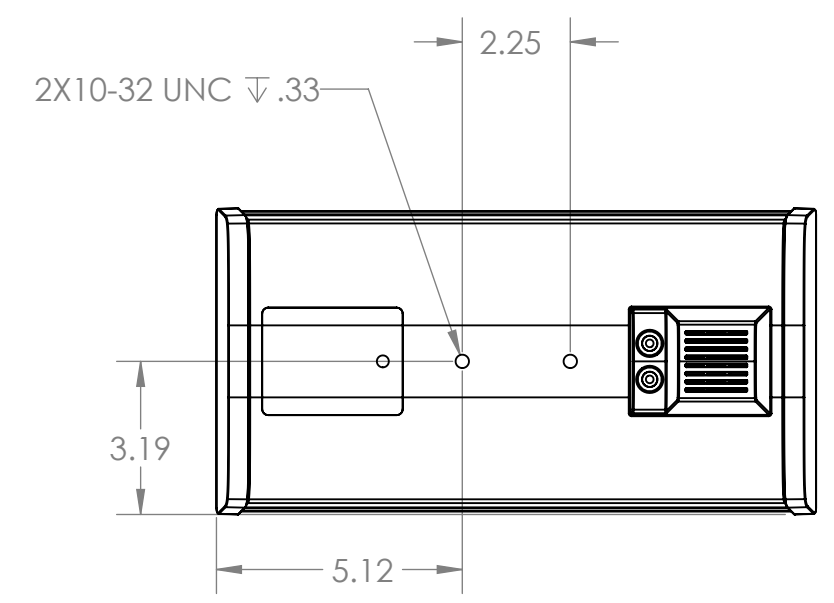
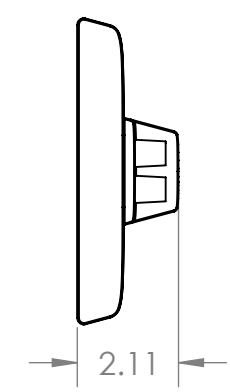
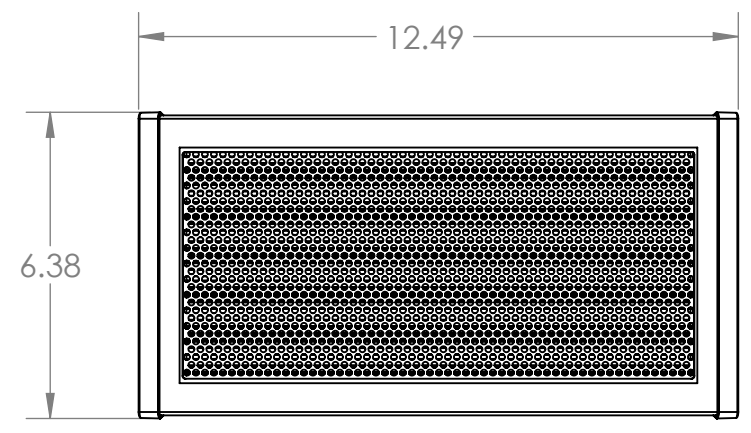


8 7 6 5 4 3 2 1

D
C
B
A

D
C
B
A



PROPRIETARY AND CONFIDENTIAL
THE INFORMATION CONTAINED IN THIS
DRAWING IS THE SOLE PROPERTY OF
PARAMETRIC SOUND CORP. ANY
REPRODUCTION IN PART OR AS A WHOLE
WITHOUT THE WRITTEN PERMISSION OF
PARAMETRIC SOUND CORP IS
PROHIBITED.

| | | | | | | | |
|-------------|---------|--------------------------------------|--|-----------|------|-----------------------|--|
| | | UNLESS OTHERWISE SPECIFIED: | | NAME | DATE | Parametric Sound Corp | |
| | | DIMENSIONS ARE IN INCHES | | DRAWN | GC | 11/4/2013 | TITLE: 6x10 Emitter Full Assembly |
| | | TOLERANCES: | | CHECKED | | | |
| | | FRACTIONAL \pm | | ENG APPR. | | | |
| | | ANGULAR: MACH \pm BEND \pm | | MFG APPR. | | | |
| | | TWO PLACE DECIMAL \pm | | Q.A. | | | SIZE DWG. NO. REV B 13-0001-00-00 A |
| | | THREE PLACE DECIMAL \pm | | COMMENTS: | | | |
| | | INTERPRET GEOMETRIC TOLERANCING PER: | | | | | SCALE: 1:4 WEIGHT: SHEET 1 OF 1 |
| | | MATERIAL | | | | | |
| NEXT ASSY | USED ON | PROGRAM | | | | | |
| APPLICATION | | DO NOT SCALE DRAWING | | | | | |

8 7 6 5 4 3 2 1